

VF "Steady On" Beacon

Compact Fluorescent Warning and Visual Indication Light

- Cl. I, Div. 2, Groups A, B, C, D
- Cl. I, Zone 2, Groups IIC
- Wet Locations
- 3, 3R
- Green - Safety Shower
- Blue - Emergency Telephones
- Red - Danger
- Amber - Warning
- Visual Signal

11L

Application:

- VF series "Steady On" fluorescent beacons are used indoors or outdoors:
- where the energy efficiency and long life of compact fluorescent lamps are desired
 - for continuous signaling requirements.
 - where a continuous "Steady-On" fluorescent light signal is required
 - where ambient noise makes audible signals difficult to hear.
 - as visual signals or warning lights on loading docks; at obstructions, exits or entrances.
 - for identifying the location of safety equipment such as safety showers or emergency telephones.
 - for call signals.
 - for status indication or area lighting on offshore rigs, mines, refineries etc.
 - in locations which are hazardous due to the presence of flammable vapors or gases and where dampness or corrosion are present.
 - to identify a potentially dangerous obstacle.
 - as a continuous source to warn or communicate.
- Typical Applications are:
- Green - Identify safety shower locations
 - Blue - Identify emergency telephones
 - Amber - Caution signal
 - Red - Danger signal
 - Red & Amber - Emergency situations
 - Blue & Red - Security or malfunctioning equipment.
 - Green & Clear - Equipment end of cycle.

Features:

- Extremely energy efficient, only 18 watt (2-9 watt compact fluorescent lamps)
- Packs considerable punch for ample visibility even in harsh environments.
- Compact size and light weight allow adaptation and easy installation in many industrial applications
- Cast copper-free aluminum (less than 0.4 of 1% copper) construction and epoxy powder finish provide excellent resistance to corrosion
- Variety of mounting arrangements to suit any lighting layout - pendant, ceiling, wall bracket, angle stanchion.
- Glass globes are internally fluted and stippled to enhance visibility. Exteriors are smooth to shed dust
- Grounding wire for safety

Standard Materials:

- Bodies and guards - copper-free aluminum (less than 0.4 of 1%)
- Globes - glass

Standard Finishes:

- Copper-free aluminum - powder epoxy finish

Electrical Ratings:

- Input voltage - 120 VAC, 60 hertz
- Wattages: 18W (Two 9W lamps)



Options:

Description	Suffix added to Cat. No.
• 250 volt Nameplate for export applications	/250

Weights:

Luminaire Type	2-Lamp Luminaire With Globe & Guard (lbs.)
VFA	5
VFHF	5 1/4
VFHBF	7 1/2

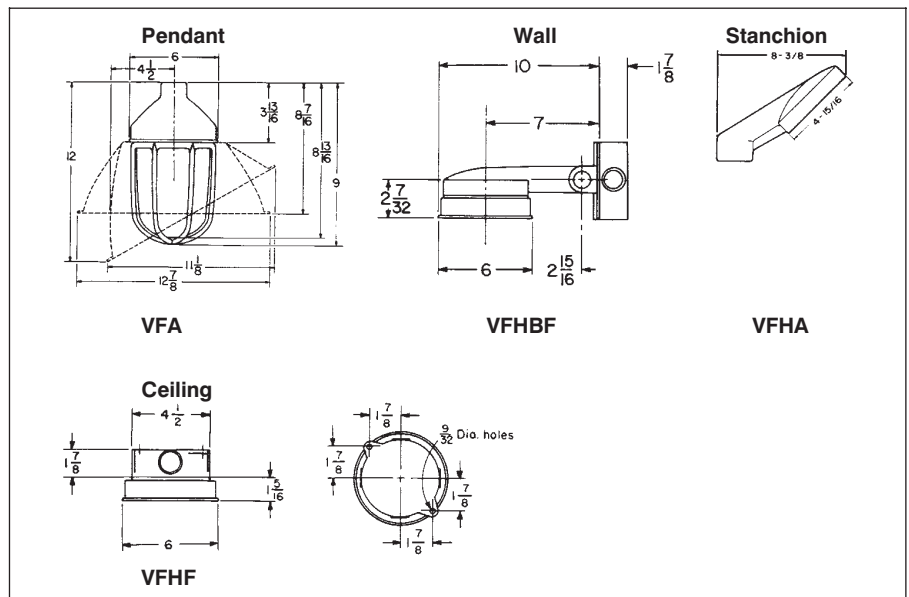
Temperature Performance Data:

Style 1 & 2 Lamp	Class I Div. 2	Max. Ambient	Supply Wire °C	Minimum Operating
9W	T3B	40°C	75°C	-4°C (25°F)

Certifications and Compliances:

- NEC and CEC:
Class I, Division 2, Groups A, B, C, D
Class I, Zone 2
- UL Standards 844
1598 Luminaires
 - CSA standards c22.2 No. 137

Dimensions



Ordering Information:

Style	Catalog Number - by Globe Color				
	Red	Amber	Green	Blue	Clear
Pendant	VFA222GRP	VFA222GAP	VFA222GGP	VFA222GBP	VFA222GP
Wall	VFHBF222GRP	VFHBF222GAP	VFHBF222GGP	VFHBF222GBP	VFHBF222GP
Ceiling	VFHF222GRP	VFHF222GAP	VFHF222GGP	VFHF222GBP	VFHF222GP
Stanchion	VFHA422GRP	VFHA422GAP	VFHA422GGP	VFHA422GBP	VFHA422GP

11L
Beacons
and Strobes